

MAJESTIC II SERIES/UMD110N 40" INDUCTION RANGE



A synthesis of beauty and functionality, the Majestic II series provides a premier cooking experience. As the centerpiece of your kitchen, it boasts handcrafted details such as rounded lines, custom finishes, ergonomic design, and innovative technology, inspired by the professional cooking world.

Fuel Type.....**Electric**

OVEN COLORS



TRIM*

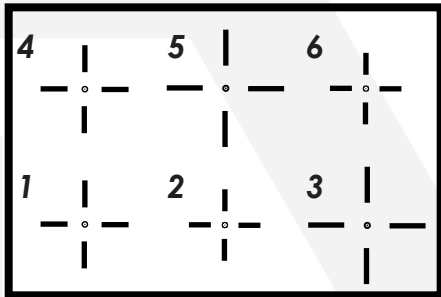


*Trim colors are available for every range color.

FEATURES

Cooktop

Cooktop surface.....	Smooth top
Number of Elements.....	6
Element Fuel.....	Induction
Cooktop Control Type.....	Knobs
Cooktop Control Location.....	Front
Element Output No. 1.....	1,850 Watts
Element Output No. 2.....	1,400 Watts
Element Output No. 3.....	2,300 Watts
Element Output No. 4.....	1,850 Watts
Element Output No. 5.....	2,300 Watts
Element Output No. 6.....	1,400 Watts



Oven

Oven Fuel.....	Electric
Oven Door Type.....	Triple-Layer Glass Door
Oven Type.....	Convection
Oven Cleaning Type.....	Self-Clean Mode
Oven Control Type.....	Display
Oven Control Place.....	Front
Oven Light(s) in Main Oven.....	2
Oven Light(s) in Second Oven.....	1
Oven Light Type.....	LED
No. of Rack Holders (Main Oven).....	5
No. of Rack Holders (Second Oven).....	5
Rack Placement Type.....	Plain
Soft Close Door.....	Yes
Display.....	TFT Touchscreen
Broiler.....	Electric
Child Safety Lock.....	Yes
Timer.....	Yes
Built-in Thermostat.....	Yes
Internal Thermometer.....	Yes

INCLUDED

Range Hood.....	No	Oven Racks (Main Oven).....	2
Power Cord.....	Yes	Oven Racks (Second Oven).....	1
Legs.....	4	Oven Trays (Main Oven).....	1
Backsplash.....	1	Oven Trays (Second Oven).....	1
		Rotisserie (Main Oven).....	0
		Rotisserie (Second Oven).....	1
		Manual.....	Yes

POWER

Voltage.....	220 v
Amperage.....	50 amps
Hertz.....	60 (Hz)
Power Cord Length.....	45 11/16" / 116 cm
Power Cord Type.....	Plug in

RECOMMENDED ACCESSORIES

Toe Kick.....	APZ100140*	Pizza Plate (2nd Oven).....	A41800
---------------	------------	-----------------------------	--------

MISCELLANEOUS

Warranty Length.....	2 years
Warranty Type.....	Limited
Actual Weight.....	410 lbs / 186 kg
Product Material.....	Stainless Steel

Available in all colors.

DIMENSIONS

RANGE

Range Width.....	39 6/16" / 100 cm
Range Height without legs.....	29 2/16" / 74 cm
Range Min. Height with legs.....	34 4/16" / 87 cm
Range Max Height with legs.....	34 4/16" / 87 cm
Range Depth.....	26 6/16" / 67 cm
Backsplash Width.....	39 6/16" / 100 m
Backsplash Height.....	2 6/16" / 6 cm
Backsplash Depth.....	9/16" / 1.5 cm
Main Oven Handle Length.....	21 1/16" / 53.5 cm
Second Oven Handle Length.....	12 3/16" / 31 cm
Main Oven Handle Depth over Range.....	2 3/16" / 5.5 cm
Second Oven Handle Depth over Range.....	2 3/16" / 5.5 cm
Power from bottom.....	7 1/16" / 18 cm
Power from right side.....	5 14/16" / 15 cm

COOKTOP

Cooktop Width.....	39 6/16" / 100 cm
Cooktop Depth.....	27 9/16" / 70 cm
Cooktop Height.....	1 9/16" / 4 cm
Cooktop Front Lip Depth over Range.....	2/16" / 0.3 cm
Cooktop Back Lip Depth over Range.....	1 3/16" / 3 cm

OVEN

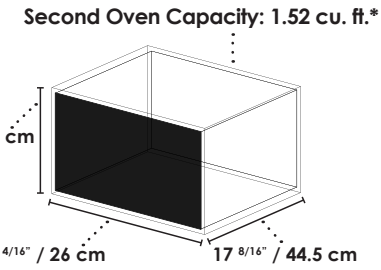
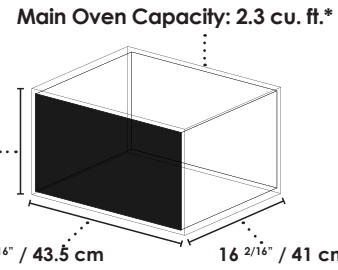
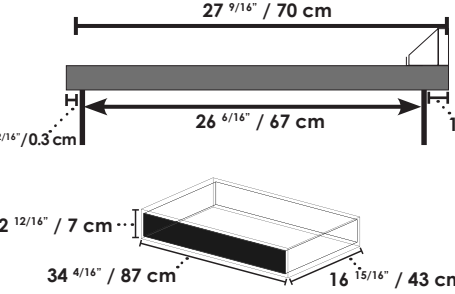
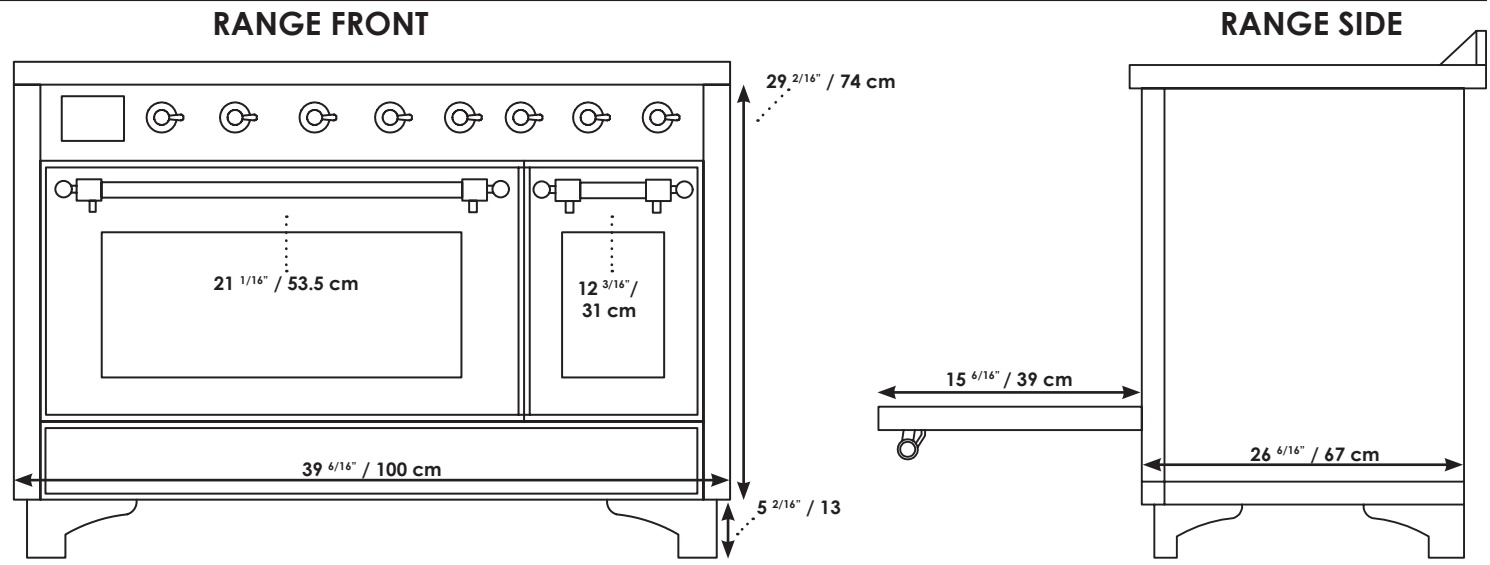
Main Oven Capacity.....	2.3 cu. ft.
Second Oven Capacity.....	1.52 cu. ft.
Main Oven Depth with Door Open 90°.....	15 6/16" / 39 cm
Second Oven Depth with Door Open 90°.....	15 6/16" / 39 cm
Main Oven Interior Width (Actual).....	17 2/16" / 43.5 cm
Main Oven Interior Height (Actual).....	14 3/16" / 36 cm
Main Oven Interior Depth (Actual).....	16 2/16" / 41 cm
Main Oven Interior Width (Usable).....	15 6/16" / 39 cm
Main Oven Interior Height (Usable).....	14 3/16" / 36 cm
Main Oven Interior Depth (Usable).....	16 2/16" / 41 cm
Second Oven Interior Width (Actual).....	10 4/16" / 26 cm
Second Oven Interior Height (Actual).....	14 3/16" / 36 cm
Second Oven Interior Depth (Actual).....	17 8/16" / 44.5 cm
Second Oven Interior Width (Usable).....	8 7/16" / 21.5 cm
Second Oven Interior Height (Usable).....	14 3/16" / 36 cm
Second Oven Interior Depth (Usable).....	17 8/16" / 44.5 cm
Height between Rack Plates.....	1 9/16" / 4 cm
Height between lowest and highest rack.....	7 14/16" / 20 cm

STORAGE

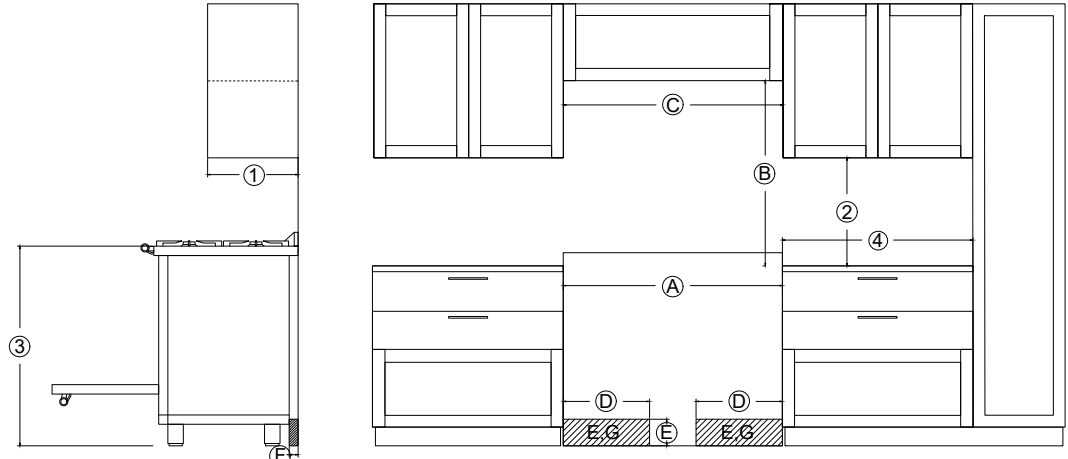
Type.....	Warming
Width.....	34 4/16" / 87 cm
Height.....	2 12/16" / 7 cm
Depth.....	16 15/16" / 43 cm

LEGS

Range Leg Type.....	Plinth
Range Leg Number.....	4
Adjustable Range Legs.....	No
Levelable Range Legs.....	Yes
Range Leg Min. Height.....	5 2/16" / 13 cm
Range Leg Max. Height.....	5 2/16" / 13 cm
Space Between Leg and Range (Side).....	0" / 0 cm
Space Between Leg and Range (Front).....	1 15/16" / 5 cm
Space Between Leg and Range (Back).....	0" / 0 cm



*Usable space differs from Actual space due to the rack placements and rotisserie.
 *Oven Capacity's cubic feet is manufacturer's measurement prior to installation of broiler, oven racks, and convection fan.



THE SHADED AREA REPRESENTS THE INSTALLATION AREA FOR THE CONNECTIONS;
 E ; ELECTRIC CONNECTION
 G ; GAS

DIMENSIONS	DESCRIPTION
1 13" (330 mm)	Maximum depth of top cabinet
2 18" (547 mm)	Minimum distance to bottom edge of top cabinet
3 35 1/2"-37" (901-940 mm)	Distance from the floor to cooktop surface
4 12"	Minimum distance from cooktop surface
A 39 6/16" / 100 cm	Width of cabinet opening
B 30" (762mm)	Minimum distance between the top of the cooking area and bottom of an unprotected combustible surface
C 39 6/16" / 100 cm	Width of the hood area
D Approx. 10 13/16" (274mm)	Maximum connection with right and left
E Approx. 4 1/8" (115mm)	Maximum connection height
F Approx. 2 3/16" (72mm)	Maximum connection depth