

Majestic II - UAM100

40" Wall Mount Range Hood

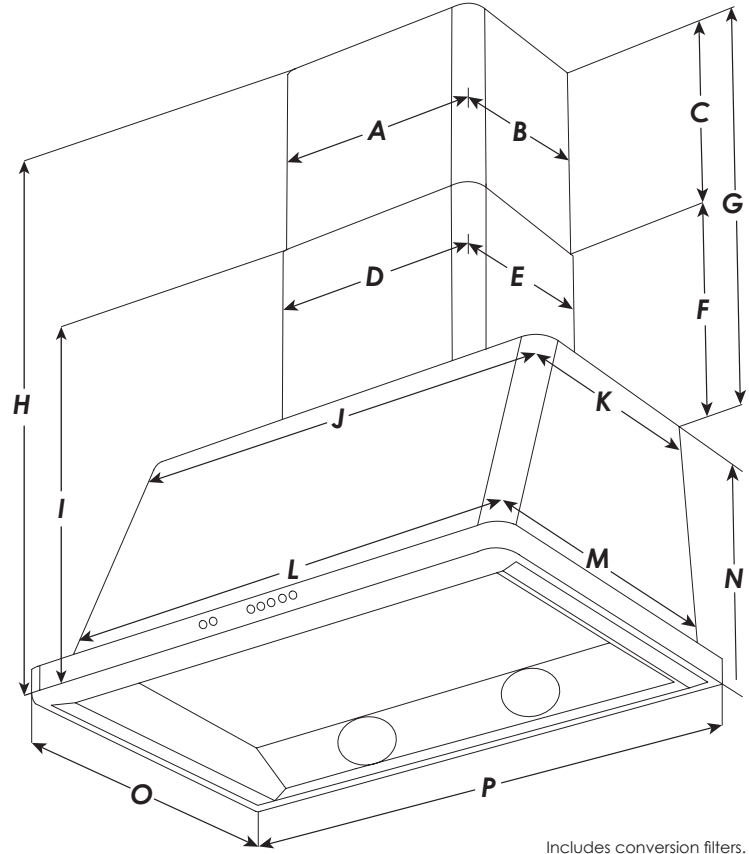


Key Features

- 4 ventilating speeds.
- 850 CFM ventilation effectively removes odors and grease.
- Halogen Lights illuminate the cooktop.
- Anti-grease filters in anodized aluminum are dishwasher safe.

General Information

| | |
|-----------------------------|-------------------------|
| Materials..... | Stainless Steel |
| Exhaust Method..... | Ducted |
| Exhaust Vent Location..... | Top |
| Duct Shape..... | Round |
| Round Duct Diameter..... | 5 14/16" / 15 CM |
| Adjustable Height..... | Yes |
| Filter Type..... | Mesh |
| Washable Filter..... | Yes |
| Dishwasher Safe Filter..... | Yes |
| Filter Material..... | Aluminum |
| Speed Control..... | Yes |
| Number of Speeds..... | 4-Speed |
| Speed Control Type..... | Push Button |
| Minimum Sones..... | 3 |
| Maximum Sones..... | 14 |
| Maximum Sound Level..... | 70 db |
| Infrared Lights..... | 2 (175 watt) |
| LED Lights..... | 2 |
| Blower Type..... | Interior Unit |
| Maximum Air Movement..... | 850 CFM |
| Delay Shut-off..... | Yes |
| Filter Clean Reminder..... | Yes |
| Power Source..... | Plug-In |
| Voltage..... | 120 Volts |
| Amperage..... | 15 AMPS |
| Hertz..... | 60 Hz |



Includes conversion filters.
Duct and vent cup are not included.
Customers must provide their own duct and vent

Specifications

| Point | Description | Measurement | |
|-------|-------------------------|---------------------|--------|
| | | Inch | CM |
| A | Duct Extension Width | 16 | 40.64 |
| B | Duct Extension Depth | 11 | 27.94 |
| C | Duct Extension Height | 14 ^{12/16} | 37.46 |
| D | Duct Width | 15 ^{12/16} | 40.01 |
| E | Duct Depth | 11 ^{7/16} | 29.05 |
| F | Duct Minimum Height | 14 ^{9/16} | 36.99 |
| G | Duct Maximum Height | 29 ^{5/16} | 74.45 |
| H | Maximum Overall Height | 46 ^{10/16} | 118.43 |
| I | Minimum Overall Height | 32 ^{3/16} | 81.76 |
| J | Upper Chimney Width | 34 ^{2/16} | 86.68 |
| K | Upper Chimney Depth | 15 ^{4/16} | 38.74 |
| L | Lower Chimney Width | 35 ^{14/16} | 91.12 |
| M | Lower Chimney Depth | 22 | 55.88 |
| N | Hood Height with Sleeve | 17 ^{5/16} | 43.97 |
| O | Overall Depth | 23 ^{10/16} | 60.01 |
| P | Overall Width | 39 ^{6/16} | 100 |