

# Majestic II - UAM150

60" Wall Mount Range Hood

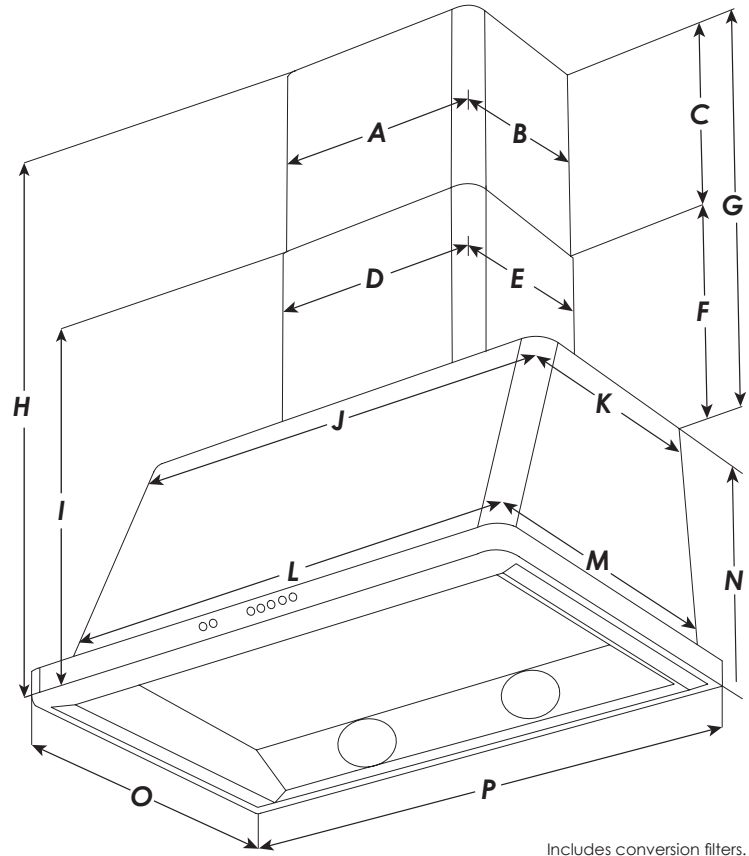


## Key Features

- 4 ventilating speeds.
- 850 CFM ventilation effectively removes odors and grease.
- Halogen Lights illuminate the cooktop.
- Anti-grease filters in anodized aluminum are dishwasher safe.

## General Information

Materials.....	<b>Stainless Steel</b>
Exhaust Method.....	<b>Ducted</b>
Exhaust Vent Location.....	<b>Top</b>
Duct Shape.....	<b>Round</b>
Round Duct Diameter.....	<b>5 14/16" / 15 CM</b>
Adjustable Height.....	<b>Yes</b>
Filter Type.....	<b>Mesh</b>
Washable Filter.....	<b>Yes</b>
Dishwasher Safe Filter.....	<b>Yes</b>
Filter Material.....	<b>Aluminum</b>
Speed Control.....	<b>Yes</b>
Number of Speeds.....	<b>4-Speed</b>
Speed Control Type.....	<b>Push Button</b>
Minimum Sones.....	<b>3</b>
Maximum Sones.....	<b>14</b>
Maximum Sound Level.....	<b>70 db</b>
Infrared Lights.....	<b>2 (175 watt)</b>
LED Lights.....	<b>4</b>
Blower Type.....	<b>Interior Unit</b>
Maximum Air Movement.....	<b>850 CFM</b>
Delay Shut-off.....	<b>Yes</b>
Filter Clean Reminder.....	<b>Yes</b>
Power Source.....	<b>Plug-In</b>
Voltage.....	<b>120 Volts</b>
Amperage.....	<b>15 AMPS</b>
Hertz.....	<b>60 Hz</b>



Includes conversion filters.  
Duct and vent cup are not included.  
Customers must provide their own duct and vent

## Specifications

Point	Description	Measurement	
		Inch	CM
A	Duct Extension Width	16	40.64
B	Duct Extension Depth	11	27.94
C	Duct Extension Height	14 <sup>12/16</sup>	37.46
D	Duct Width	15 <sup>12/16</sup>	40.01
E	Duct Depth	11 <sup>7/16</sup>	29.05
F	Duct Minimum Height	14 <sup>9/16</sup>	36.99
G	Duct Maximum Height	29 <sup>5/16</sup>	74.45
H	Maximum Overall Height	46 <sup>10/16</sup>	118.43
I	Minimum Overall Height	32 <sup>3/16</sup>	81.76
J	Upper Chimney Width	54 <sup>6/16</sup>	138.11
K	Upper Chimney Depth	15 <sup>4/16</sup>	38.74
L	Lower Chimney Width	55 <sup>3/16</sup>	140.24
M	Lower Chimney Depth	22	55.88
N	Hood Height with Sleeve	17 <sup>5/16</sup>	43.97
O	Overall Depth	23 <sup>10/16</sup>	60.01
P	Overall Width	59 <sup>8/16</sup>	151.13