

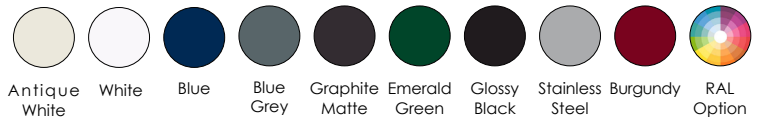
24" DUAL FUEL RANGE



The Nostalgie immediately states its vocation as a range designed and crafted for the most demanding chef without alienating casual cooks with its user-friendly functions.

Fuel Type..... **Dual Fuel**
 Gas Type..... **Liquid Propane or Natural Gas**

OVEN COLORS



TRIM*

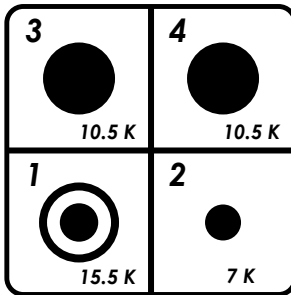


**Trim colors are available for every oven color.*

FEATURES

Cooktop

Cooktop Surface.....	Deep Recessed
Number of Burners/Elements.....	4
Gas Heat Configuration.....	Sealed Burners
Burner/ Element Fuel.....	Gas
Grate Type.....	Cast Iron
Cooktop Control Type.....	Knobs
Cooktop Control Location.....	Front
Burner Output No. 1.....	15,500 BTU / Triple Ring Burner
Burner Output No. 2.....	7,000 BTU / Small Burner
Burner Output No. 3.....	10,500 BTU / Large Burner
Burner Output No. 4.....	10,500 BTU / Large Burner



Oven

Oven Fuel.....	Electric
Oven Door Type.....	Triple Layer Glass Door
Oven Type.....	Convection
Oven Cleaning Type.....	Self-Clean Mode*
Oven Control Type.....	Knobs
Oven Control Place.....	Front
Interior Oven Light(s).....	2
Interior Oven Light Type.....	LED
Number of Rack Placement.....	5
Soft Close Door.....	No
Display Type.....	LED
Broiler Type.....	Electric
Child Safety Lock.....	No
Timer.....	Yes
Built-in Thermostat.....	Yes

**Protective Panel is required (sold separately)*

INCLUDED

Range Hood.....	No	Oven Racks.....	2
Power Cord.....	Yes	Oven Trays.....	1
Grate.....	Yes	Rotisserie.....	0
Griddle.....	No	Gas Regulator.....	1
Legs.....	4	Manual.....	Yes
Backsplash.....	1		
Conversion Kit.....	Yes		

POWER

Voltage.....	220 v
Amperage.....	30 amps
Hertz.....	60 (Hz)
Power Cord Length.....	45 11/16" / 116 cm
Power Cord Type.....	Hard wire

RECOMMENDED ACCESSORIES

Toe Kick.....	APZ60140*	Wok Ring.....	A09234
Solid Leg (Chrome).....	G4221208	Steam Cooker Basins.....	G00202
(Brass).....	G4221216	Pizza Plate.....	A41800
(Bronze).....	G4221218		

MISCELLANEOUS

Warranty Length.....	2 years
Warranty Type.....	Limited
Actual Weight.....	187 lbs / 85 kg
Product Material.....	Stainless Steel

Available in all colors.

DIMENSIONS

RANGE

Range Width.....	23 10/16" / 60 cm
Range Height without legs.....	27 15/16" / 71 cm
Range Min. Height with legs.....	34 1/16" / 86.5 cm
Range Max Height with legs.....	38" / 96.5 cm
Range Depth.....	21 10/16" / 55 cm
Backsplash Width.....	23 10/16" / 60 cm
Backsplash Height.....	2 6/16" / 6 cm
Backsplash Depth.....	9/16" / 1.5 cm
Backsplash Lip.....	3/16" / 0.5 cm
Top Handle Length.....	20 14/16" / 53 cm
Main Oven Handle Length.....	20 14/16" / 53 cm
Top Handle Depth over Range.....	2 3/16" / 5.5 cm
Oven Handle Depth over Range.....	2 3/16" / 5.5 cm
Power from bottom.....	9 1/16" / 23 cm
Power from left side.....	6 11/16" / 17 cm
Gas connector from top.....	3 4/16" / 9 cm
Gas connector from right side.....	8 11/16" / 22 cm

COOKTOP

Cooktop Width.....	23 10/16" / 60 cm
Cooktop Depth.....	23 10/16" / 60 cm
Cooktop Height.....	1 9/16" / 4 cm
Cooktop Front Lip Depth over Range.....	9/16" / 1.5 cm
Cooktop Back Lip Depth over Range.....	1 6/16" / 3.5 cm

OVEN

Oven Capacity.....	2.44 cu. ft.
Oven Depth with Door Open 90°.....	15 6/16" / 39 cm
Oven Interior Width (Actual).....	17 5/16" / 44 cm
Oven Interior Height (Actual).....	13 3/16" / 33.5 cm
Oven Interior Depth (Actual).....	17 5/16" / 44 cm
Oven Interior Width (Usable).....	15 9/16" / 39.5 cm
Oven Interior Height (Usable).....	13 3/16" / 33.5 cm
Oven Interior Depth (Usable).....	17 5/16" / 44 cm
Height between Rack Plates.....	1 9/16" / 4 cm
Height between lowest & highest rack.....	5 14/16" / 15 cm

STORAGE

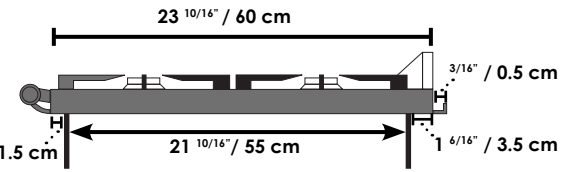
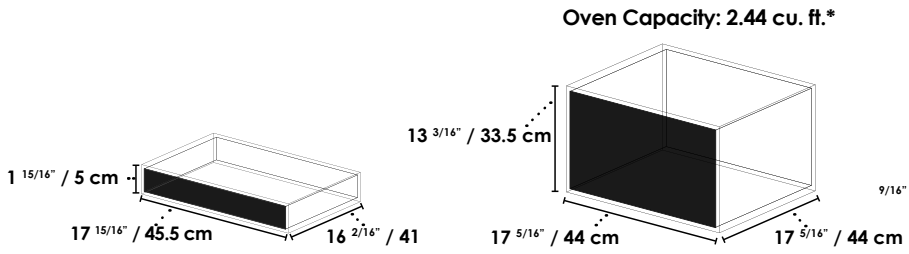
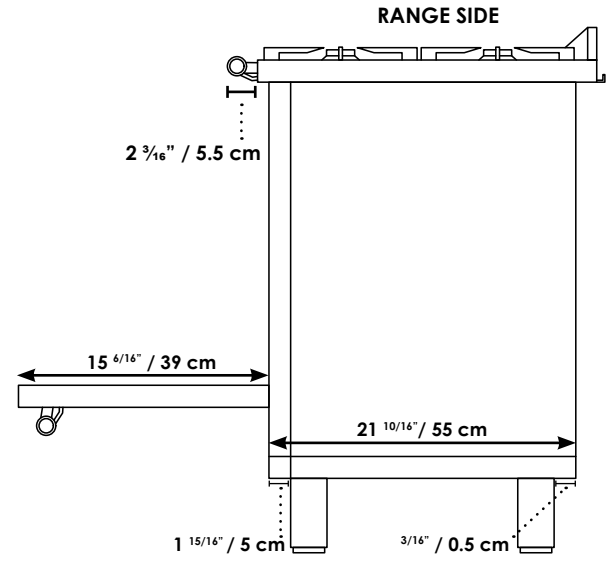
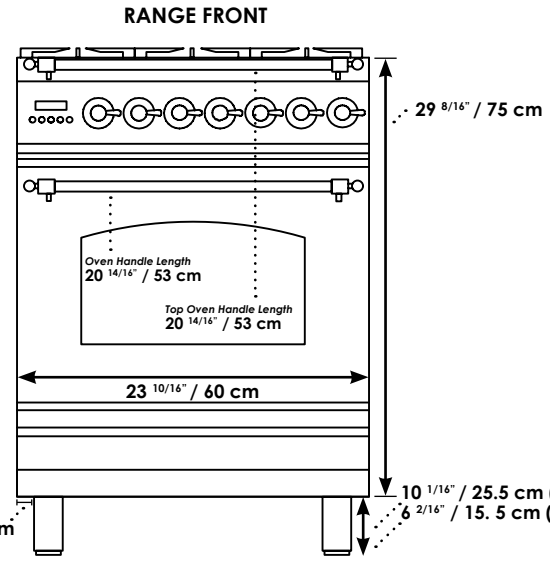
Type.....	Storage
Width.....	17 15/16" / 45.5 cm
Height.....	1 15/16" / 5 cm
Depth.....	16 2/16" / 41 cm

LEGS

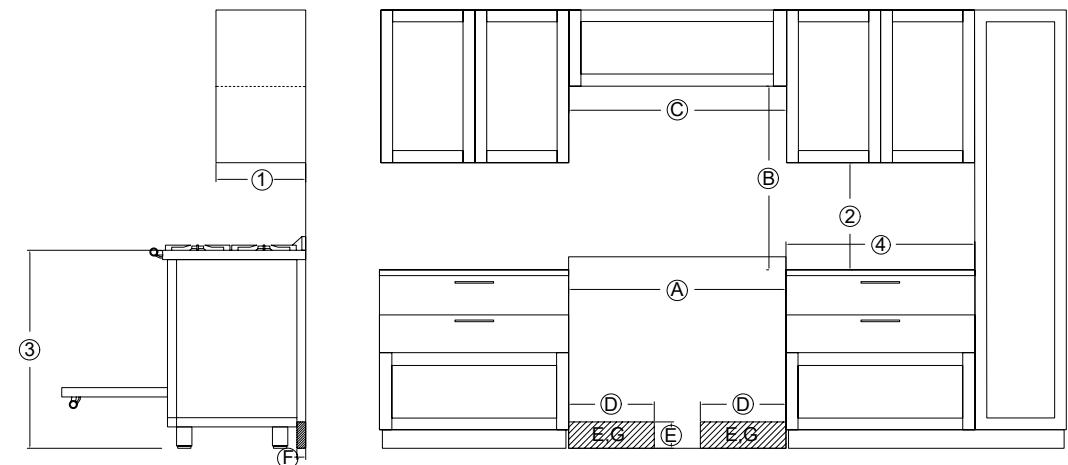
Range Leg Type.....	Cylinder
Range Leg Number.....	4
Adjustable Range Legs.....	Yes
Levelable Range Legs.....	Yes
Range Leg Min. Height.....	6 2/16" / 15.5 cm
Range Leg Max. Height.....	10 1/16" / 25.5 cm
Space Between Leg & Range (Side).....	3/16" / 0.5 cm
Space Between Leg & Range (Front).....	1 15/16" / 5 cm
Space Between Leg & Range (Back).....	3/16" / 0.5 cm

OVERALL DIMENSIONS

Width.....	23 10/16" / 60 cm
Maximum Height.....	39 9/16" / 100.5 cm
Minimum Height.....	35 19/16" / 90.5 cm
Depth (with handle).....	26 3/16" / 66.5 cm
Depth (without handle).....	23 10/16" / 60 cm



*Oven Capacity's cubic feet is manufacturer's measurement prior to installation of broiler, oven racks, and convection fan. Usable space differs from Actual space due to the rack placements and rotisserie.



The Shaded Area represents the installation area for the connections;
E ; Electric Connection
G ; Gas Connection

Position	Dimensions	Description
1	13" (330 mm)	Maximum depth of top cabinet
2	18" (547 mm)	Minimum distance to bottom edge of top cabinet
3	35 1/2"-37" (901-940 mm)	Distance from the floor to cooktop surface
4	12"	Minimum distance from cooktop surface
A	23 10/16" (60 cm)	Width of cabinet opening
B	26" (71.12 cm) to 32" (81.28 cm)	Minimum distance between the top of the cooking area and bottom of an unprotected combustible surface
C	23 10/16" (60 cm)	Width of the hood area
D	Approx. 10 13/16" (274mm)	Maximum connection with right and left
E	Approx. 4 1/2" (115mm)	Maximum connection height
F	Approx. 2 3/16" (72mm)	Maximum connection depth