

# 48" DUAL FUEL RANGE



The Nostalgie immediately states its vocation as a range designed and crafted for the most demanding chef without alienating casual cooks with its user-friendly functions.

Fuel Type..... **Dual Fuel**  
 Gas Type..... **Liquid Propane or Natural Gas**

### OVEN COLORS



### TRIM\*

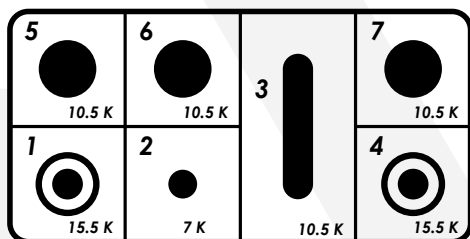


\*Trim colors are available for every oven color.

## FEATURES

### COOKTOP

Cooktop surface.....	Deep Recessed
Number of Burners/Elements.....	7
Gas Heat Configuration.....	Sealed Burners
Burner/ Element Fuel.....	Gas
Grate Type.....	Cast Iron
Cooktop Control Type.....	Knobs
Cooktop Control Location.....	Front
Burner Output No. 1.....	15,500 BTU / Triple Ring Burner
Burner Output No. 2.....	7,000 BTU / Small Burner
Burner Output No. 3.....	10,500 BTU / Fish Burner
Burner Output No. 4.....	15,500 BTU / Triple Ring Burner
Burner Output No. 5.....	10,500 BTU / Large Burner
Burner Output No. 6.....	10,500 BTU / Large Burner
Burner Output No. 7.....	10,500 BTU / Large Burner



### OVEN

Oven Fuel.....	Electric
Oven Door Type.....	Triple-Layer Glass Door
Oven Type.....	Convection
Oven Cleaning Type.....	Self-Clean Mode*
Oven Control Type.....	Knobs
Oven Control Place.....	Front
Oven Light(s) in Main Oven.....	2
Oven Light(s) in Second Oven.....	1
Oven Light Type.....	LED
No. of Rack Holders (Main Oven).....	5
No. of Rack Holders (Second Oven).....	5
Rack Placement Type.....	Plain
Soft Close Door.....	No
Display.....	LED
Broiler.....	Electric
Child Safety Lock.....	No
Timer.....	Yes
Built-in Thermostat.....	Yes

\*Protective Panel is required (sold separately)

## INCLUDED

Range Hood.....	No	Oven Racks (Main Oven).....	2
Power Cord.....	Yes	Oven Racks (Second Oven).....	1
Grate.....	Yes	Oven Trays (Main Oven).....	1
Griddle.....	Yes	Oven Trays (Second Oven).....	1
Legs.....	4	Rotisserie (Main Oven).....	1
Backsplash.....	1	Rotisserie (Second Oven).....	1
Conversion Kit.....	Yes	Gas Regulator.....	1
		Manual.....	Yes

## POWER

Voltage.....	220 v
Amperage.....	40 amps
Hertz.....	60 (Hz)
Power Cord Length.....	45 11/16" / 116 cm
Power Cord Type.....	Hard wire

## RECOMMENDED ACCESSORIES

Toe Kick.....	APZ120140*	Steam Cooker Basins.....	G00202
Wok Ring.....	A09234	BBQ Grill.....	G41903
Chopping Board.....	A48401	Bain-Marie.....	G00201

## MISCELLANEOUS

Warranty Length.....	2 years
Warranty Type.....	Limited
Actual Weight.....	366 lbs / 156 kg
Product Material.....	Stainless Steel

\*All colors are available.

# DIMENSIONS

**RANGE**

Range Width	47 4/16" / 120 cm
Range Height without legs	27 15/16" / 71 cm
Range Min. Height with legs	34 1/16" / 86.5 cm
Range Max Height with legs	38" / 96.5 cm
Range Depth	21 10/16" / 55 cm
Backsplash Width	47 4/16" / 120 cm
Backsplash Height	2 6/16" / 6 cm
Backsplash Depth	9/16" / 1.5 cm
Backsplash Lip	3/16" / 0.5 cm
Top Oven Handle Length	42 2/16" / 107 cm
Main Oven Handle Length	28 15/16" / 73.5 cm
Second Oven Handle Length	12 3/16" / 31 cm
Top Oven Handle Depth over Range	2 3/16" / 5.5 cm
Main Oven Handle Depth over Range	2 3/16" / 5.5 cm
Second Oven Handle Depth over Range	2 3/16" / 5.5 cm
Power from bottom	9 1/16" / 23 cm
Power from left side	7 1/16" / 18 cm
Gas connector from bottom	3 9/16" / 9 cm
Gas connector from right side	9 7/16" / 24 cm

**COOKTOP**

Cooktop Width	47 4/16" / 120 cm
Cooktop Depth	23 10/16" / 60 cm
Cooktop Height	1 9/16" / 4 cm
Cooktop Front Lip Depth over Range	9/16" / 1.5 cm
Cooktop Back Lip Depth over Range	1 6/16" / 3.5 cm

**OVEN**

Main Oven Capacity	3.55 cu. ft.
Second Oven Capacity	1.44 cu. ft.
Main Oven Depth with Door Open 90°	15 6/16" / 39 cm
Second Oven Depth with Door Open 90°	15 6/16" / 39 cm
Main Oven Interior Width (Actual)	25 3/16" / 64 cm
Main Oven Interior Height (Actual)	13 3/16" / 33.5 cm
Main Oven Interior Depth (Actual)	16 2/16" / 41 cm
Main Oven Interior Width (Usable)	23 7/16" / 59.5 cm
Main Oven Interior Height (Usable)	13 3/16" / 33.5 cm
Main Oven Interior Depth (Usable)	16 2/16" / 41 cm
Second Oven Interior Width (Actual)	10 4/16" / 26 cm
Second Oven Interior Height (Actual)	13 3/16" / 33.5 cm
Second Oven Interior Depth (Actual)	16 2/16" / 41 cm
Second Oven Interior Width (Usable)	8 7/16" / 21.5 cm
Second Oven Interior Height (Usable)	13 3/16" / 33.5 cm
Second Oven Interior Depth (Usable)	16 2/16" / 41 cm
Height between Rack Plates	1 9/16" / 4 cm
Height between lowest and highest rack	7 14/16" / 20 cm

**STORAGE**

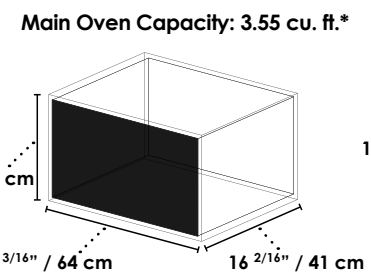
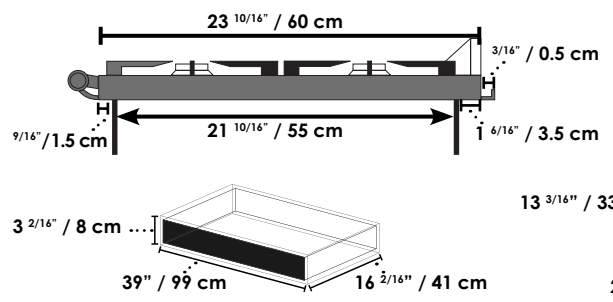
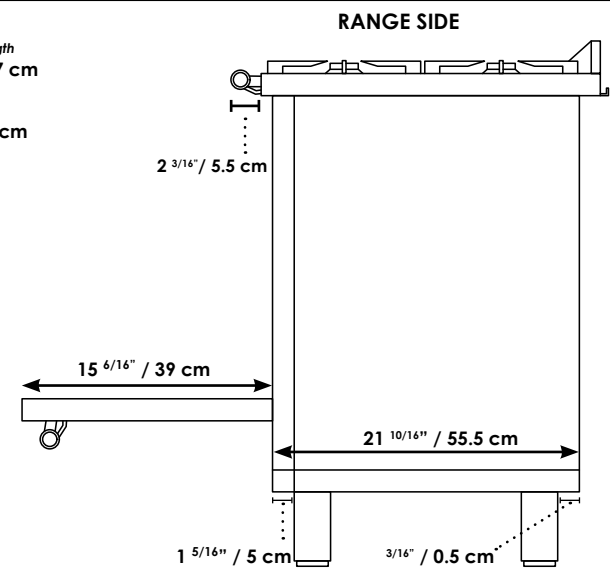
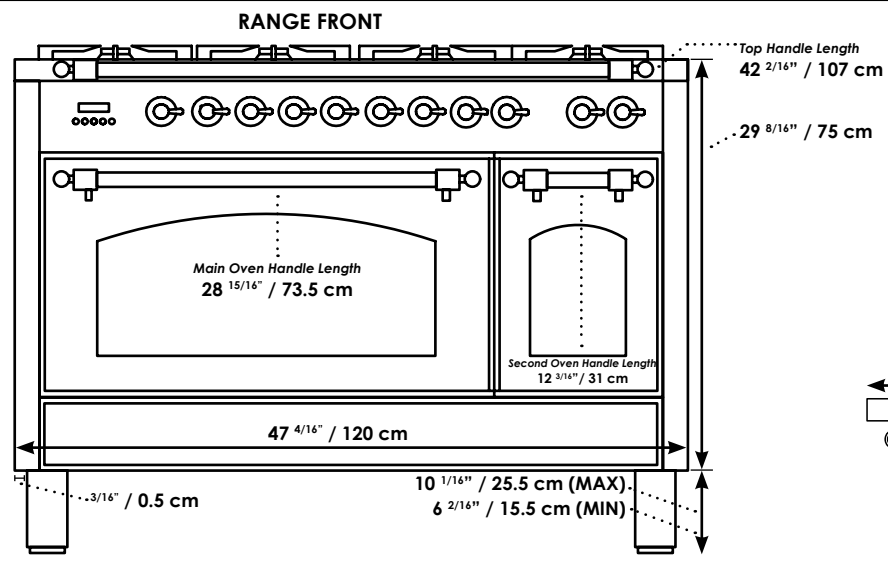
Type	Storage
Width	39" / 99 cm
Height	3 2/16" / 8 cm
Depth	16 2/16" / 41 cm

**LEGS**

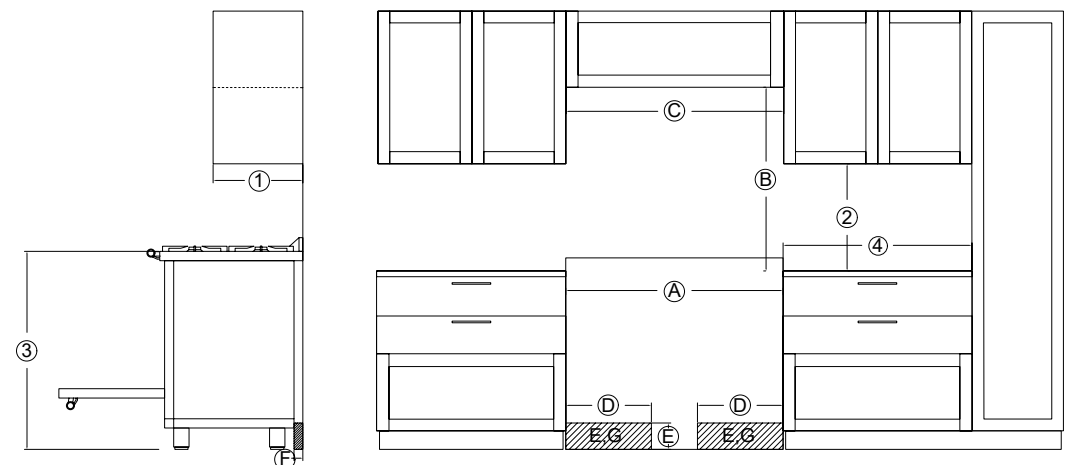
Range Leg Type	Cylinder
Range Leg Number	4
Adjustable Range Legs	Yes
Levelable Range Legs	Yes
Range Leg Min. Height	6 2/16" / 15.5 cm
Range Leg Max. Height	10 1/16" / 25.5 cm
Space Between Leg and Range (Side)	3/16" / 0.5 cm
Space Between Leg and Range (Front)	1 15/16" / 5 cm
Space Between Leg and Range (Back)	3/16" / 0.5 cm

**OVERALL DIMENSIONS**

Width	47 4/16" / 120 cm
Maximum Height	39 9/16" / 100.5 cm
Minimum Height	35 19/16" / 90.5 cm
Depth (with handle)	26 3/16" / 66.5 cm
Depth (without handle)	23 10/16" / 60 cm



\*Oven Capacity's cubic feet is manufacturer's measurement prior to installation of broiler, oven racks, and convection fan. Usable space differs from Actual space due to the rack placements and roisserie.



The Shaded Area represents the installation area for the connections;  
**E** ; Electric Connection  
**G** ; Gas Connection

Position	Dimensions	Description
1	13" (330 mm)	Maximum depth of top cabinet
2	18" (547 mm)	Minimum distance to bottom edge of top cabinet
3	35 1/2"-37" (901-940 mm)	Distance from the floor to cooktop surface
4	12"	Minimum distance from cooktop surface
A	47 4/16" / 120 cm	Width of cabinet opening
B	28" (71.12 cm) to 32" (81.28 cm)	Minimum distance between the top of the cooking area and bottom of an unprotected combustible surface
C	47 4/16" / 120 cm	Width of the hood area
D	Approx. 10 13/16" (274mm)	Maximum connection with right and left
E	Approx. 4 1/2" (115mm)	Maximum connection height
F	Approx. 2 15/16" (72mm)	Maximum connection depth